



US007911797B2

(12) **United States Patent**
Grajcar

(10) **Patent No.:** **US 7,911,797 B2**
(45) **Date of Patent:** **Mar. 22, 2011**

(54) **APPARATUS AND METHODS FOR THERMAL MANAGEMENT OF ELECTRONIC DEVICES**

FOREIGN PATENT DOCUMENTS

EP 1843403 10/2007
(Continued)

(75) Inventor: **Zdenko Grajcar**, Crystal, MN (US)

OTHER PUBLICATIONS

(73) Assignee: **Nexus Lighting**, Charlotte, NC (US)

Notification of Transmittal of The International Search Report and The Written Opinion of The International Searching Authority, or The Declaration, Written Opinion of The International Searching Authority, and International Search Report all mailed Jun. 30, 2009 for PCT Application PCT/US2008/080925.

(*) Notice: Subject to any disclaimer, the term of this patent is extended or adjusted under 35 U.S.C. 154(b) by 33 days.

(21) Appl. No.: **12/256,914**

(Continued)

(22) Filed: **Oct. 23, 2008**

Primary Examiner — Gregory D Thompson

(65) **Prior Publication Data**

(74) *Attorney, Agent, or Firm* — McGuireWoods, LLP

US 2009/0109617 A1 Apr. 30, 2009

Related U.S. Application Data

(60) Provisional application No. 61/000,521, filed on Oct. 25, 2007.

(51) **Int. Cl.**
H05K 7/20 (2006.01)

(52) **U.S. Cl.** **361/719**; 165/80.2; 165/185; 361/704; 361/707

(58) **Field of Classification Search** 361/719
See application file for complete search history.

(56) **References Cited**

U.S. PATENT DOCUMENTS

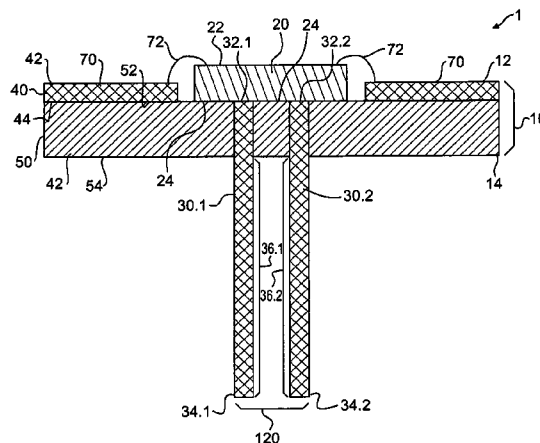
3,764,856	A	10/1973	Martin	
4,823,234	A *	4/1989	Konishi et al.	361/718
5,113,315	A *	5/1992	Capp et al.	361/704
5,469,330	A *	11/1995	Karabatsos et al.	361/704
5,659,458	A *	8/1997	Patchen	361/704
5,933,324	A *	8/1999	Barrett	361/703
6,407,923	B1	6/2002	Gerlock et al.	
6,466,440	B2	10/2002	Kaneko	

(Continued)

(57) **ABSTRACT**

An apparatus is disclosed that may include a printed circuit board (PCB) and an electronics package may be disposed about the first surface of the PCB. The PCB may include a metal layer and a core, and, in some aspects, may include multiple cores interposed between multiple metal layers, and in some embodiments a backplane may be disposed along the core. The metal layer may be disposed on a core first surface. The metal layer may comprise metal or other conductive material suitable to define traces, which may be circuit paths for electronic components affixed to the PCB. In some aspects, the core may be electrically non-conducting, and may be thermally insulating, and, accordingly, inhibit the transfer of heat from the electronics package through the PCB. However, pins may be configured to pass through the PCB including the core from the core first surface to the core second surface to conduct heat generated by the electronics package away for dispersion. In some embodiments, the pins may pass into the backplane. A pad may be disposed between the electronic package and the core in some embodiments, the pins passing into the pad.

35 Claims, 12 Drawing Sheets



US 7,911,797 B2

Page 2

U.S. PATENT DOCUMENTS

6,706,972	B1 *	3/2004	Martin	174/260
6,840,794	B2	1/2005	Chiu	
6,992,899	B2 *	1/2006	Alger et al.	361/767
7,265,983	B2 *	9/2007	Frisch	361/719
7,521,789	B1 *	4/2009	Rinehart et al.	257/699
7,532,479	B2 *	5/2009	Ohno et al.	361/719
2003/0150605	A1 *	8/2003	Belady et al.	165/185
2005/0041396	A1 *	2/2005	Nurminen	361/719
2006/0007661	A1 *	1/2006	Iketaki	361/719
2006/0018099	A1	1/2006	Chen	

FOREIGN PATENT DOCUMENTS

GB	2335075	9/1999
JP	6318486	11/1994

JP	10133608	5/1998
JP	2003-178602	6/2003
WO	81/03734	12/1981
WO	2007/091832	8/2007

OTHER PUBLICATIONS

Extended European Search Report and Supplementary European Search report and European Search opinion mailed Nov. 19, 2010 for European Patent Application No. 08840873.7.

Extended European Search Report and Supplementary European Search report and European Search opinion mailed Nov. 19, 2010 for European Patent Application No. 08851066.4.

* cited by examiner

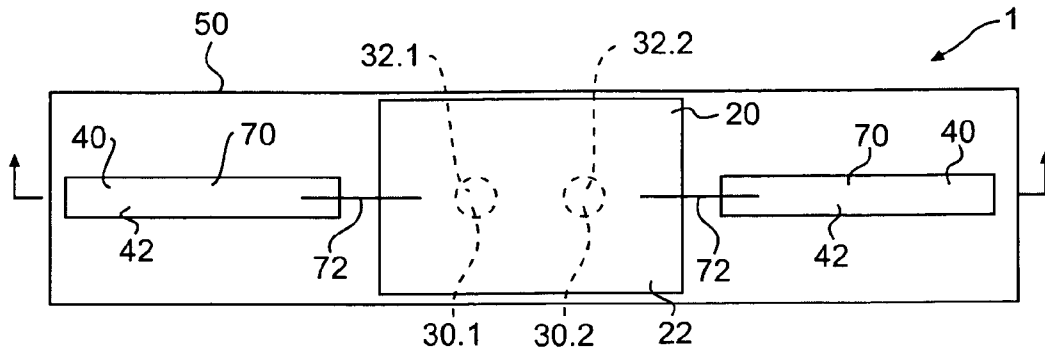


FIG. 1A

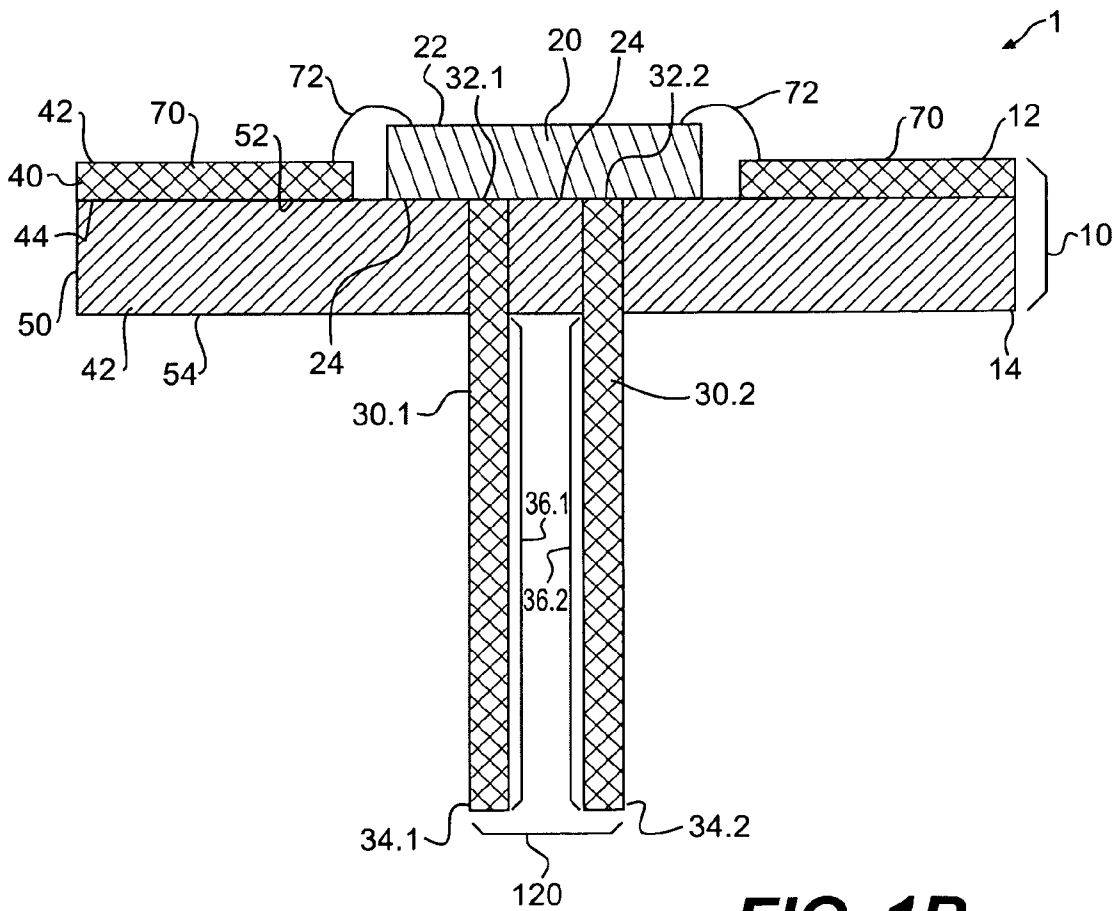


FIG. 1B

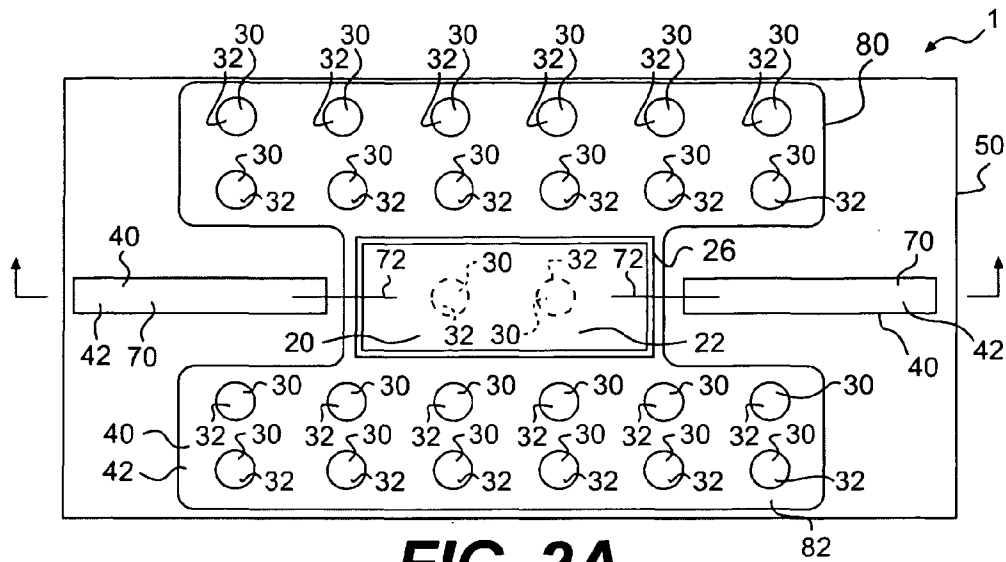


FIG. 2A

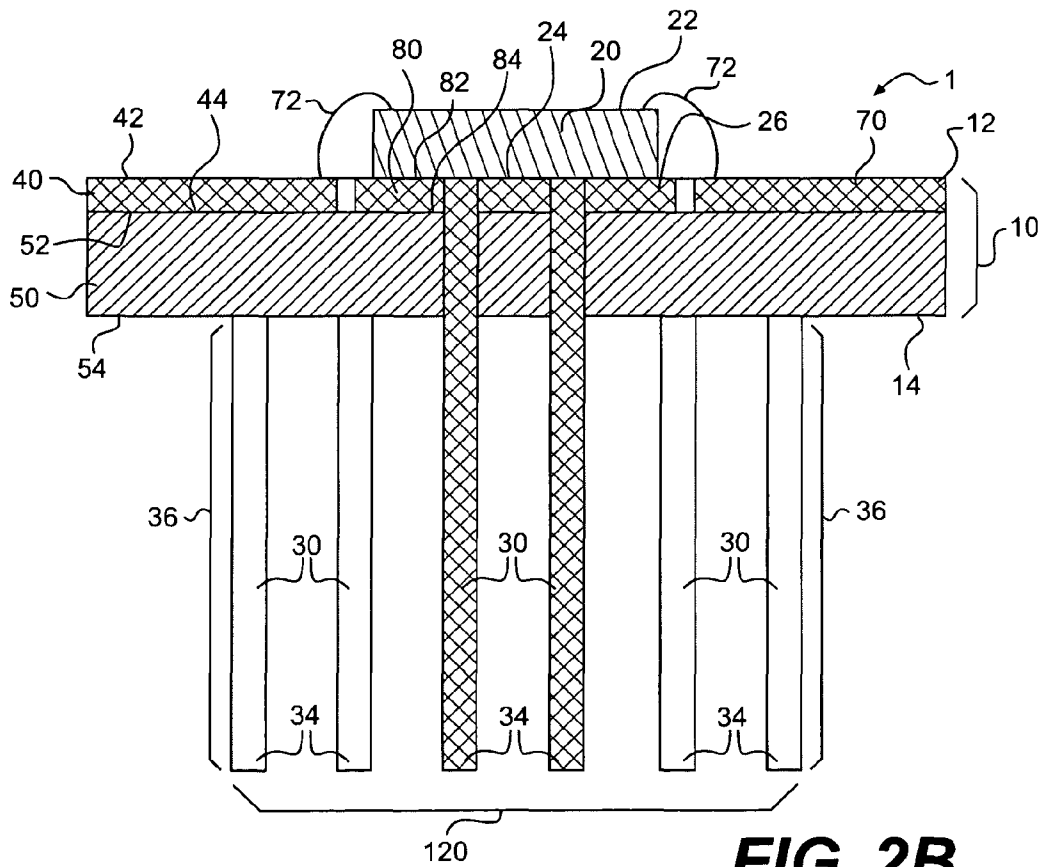


FIG. 2B

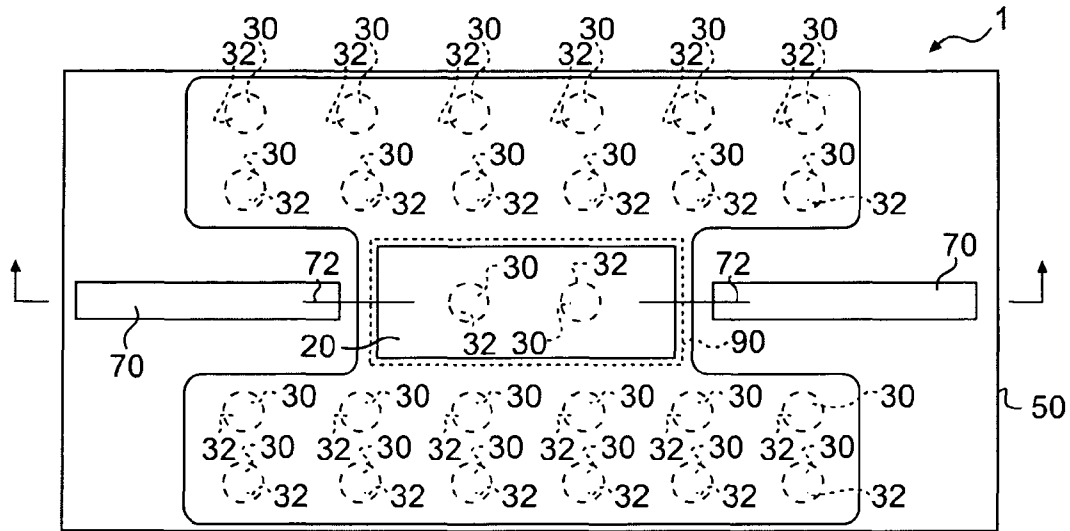


FIG. 3A

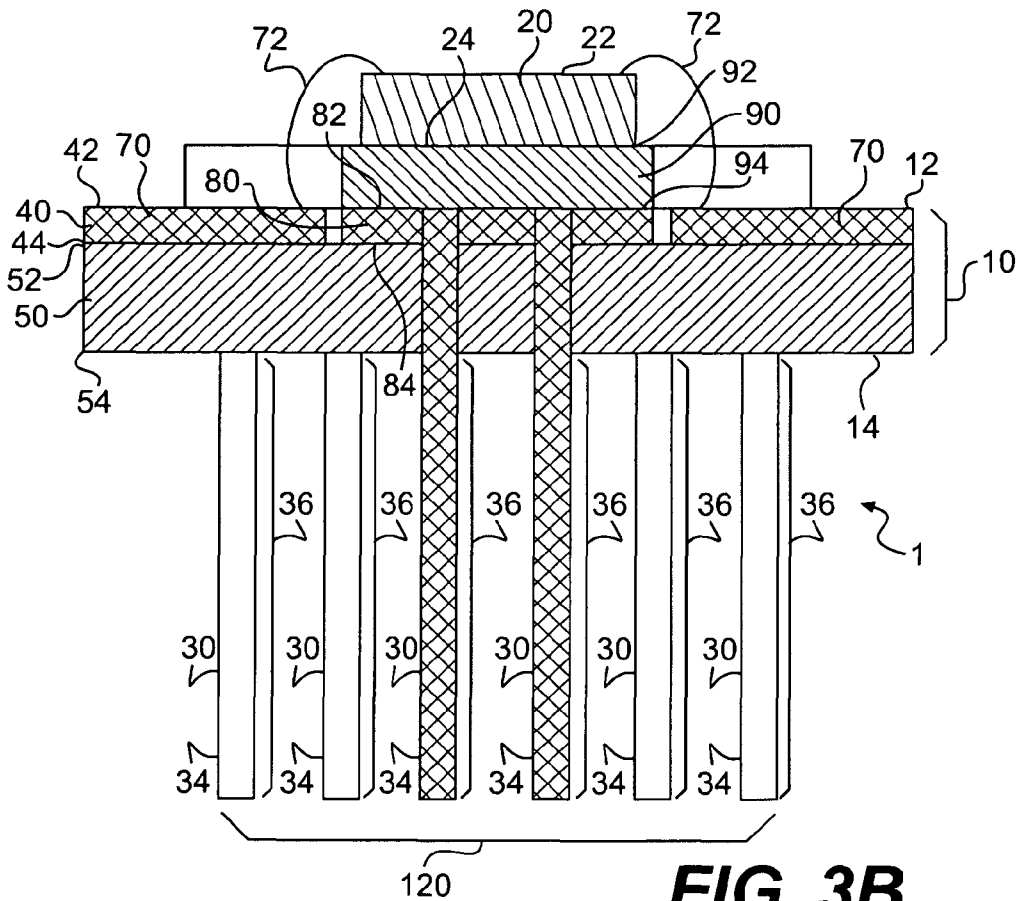


FIG. 3B

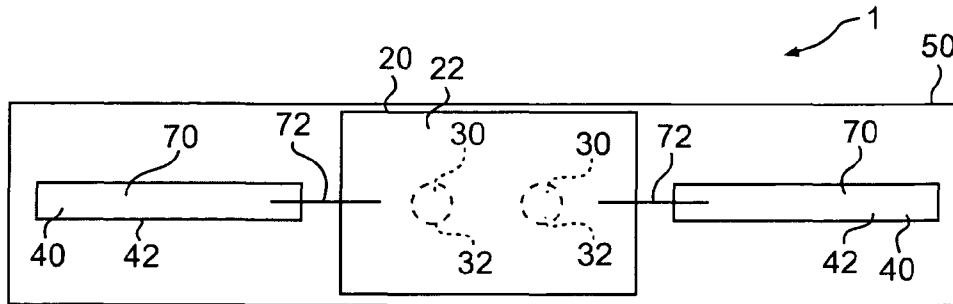


FIG. 4A

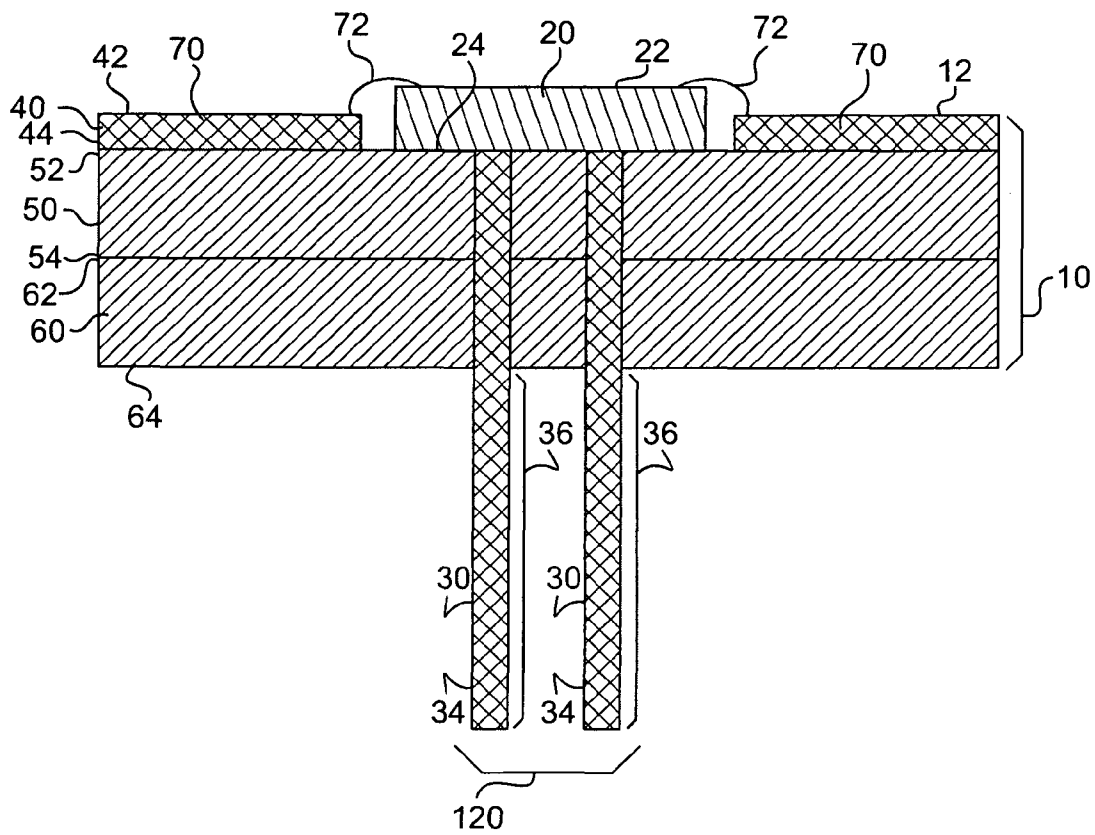


FIG. 4B

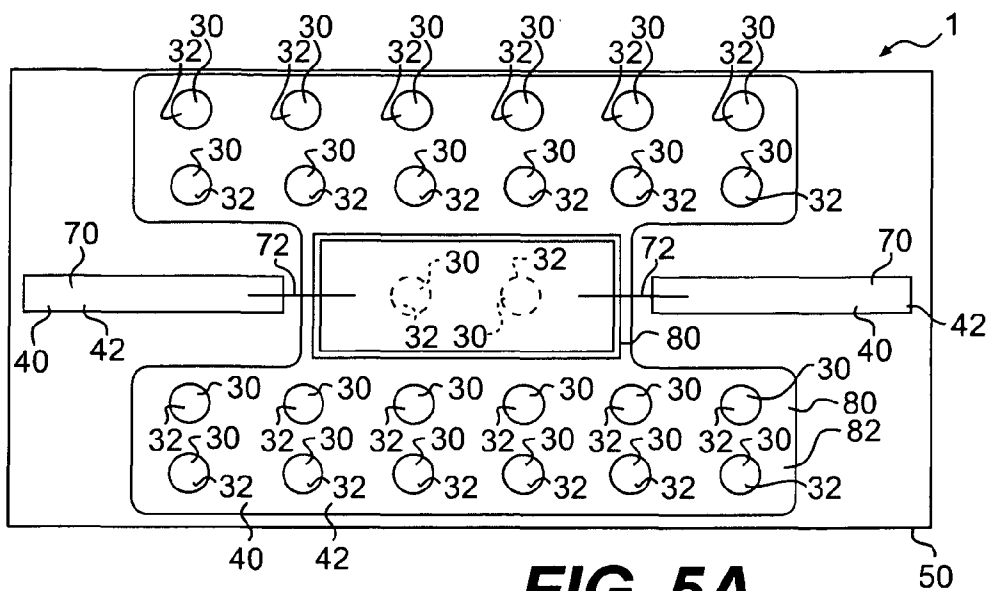


FIG. 5A

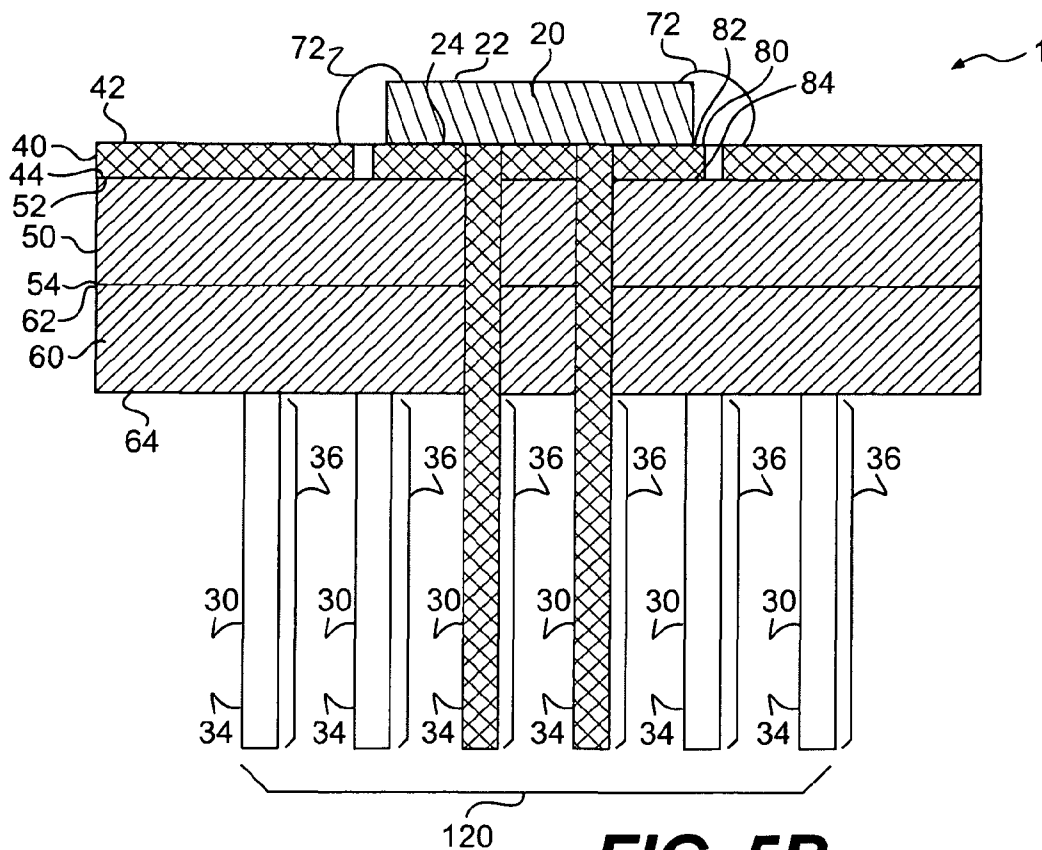


FIG. 5B

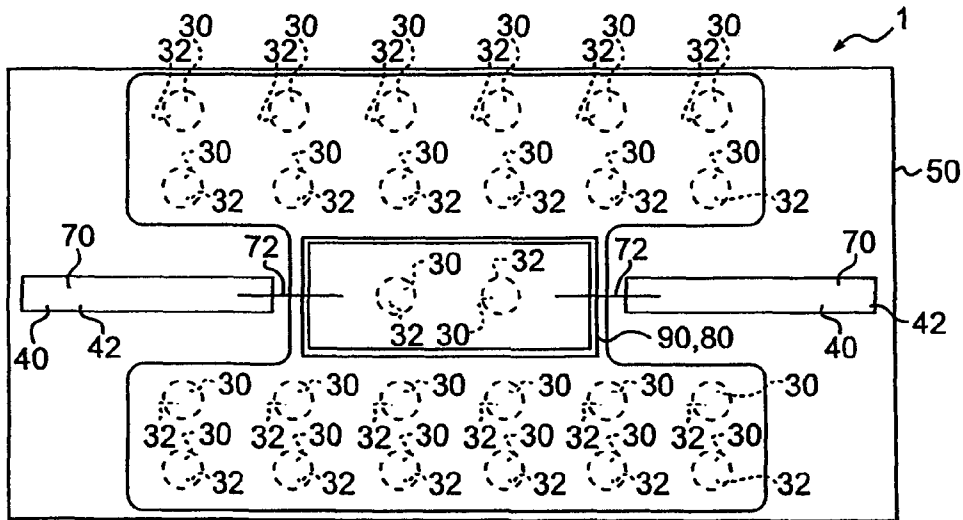


FIG. 6A

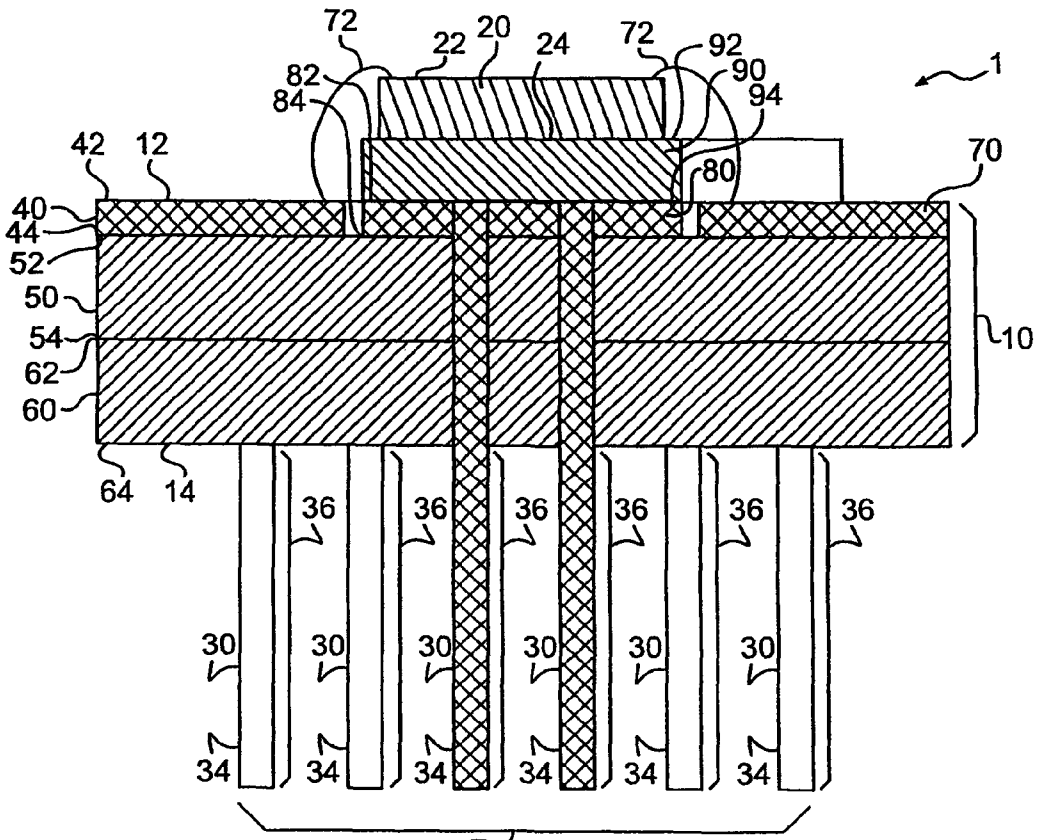


FIG. 6B

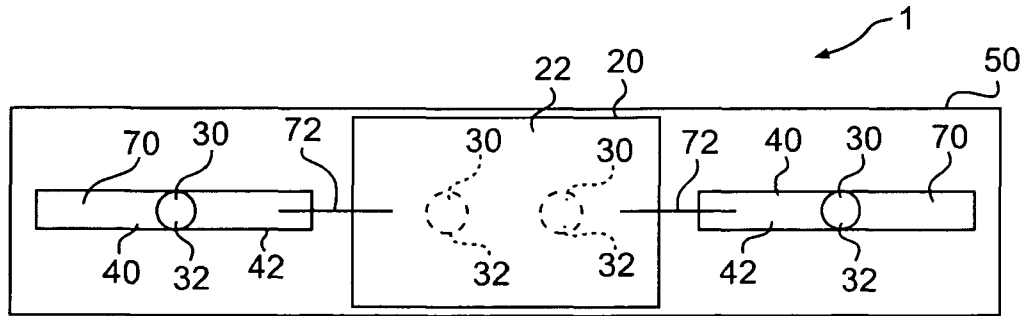


FIG. 7A

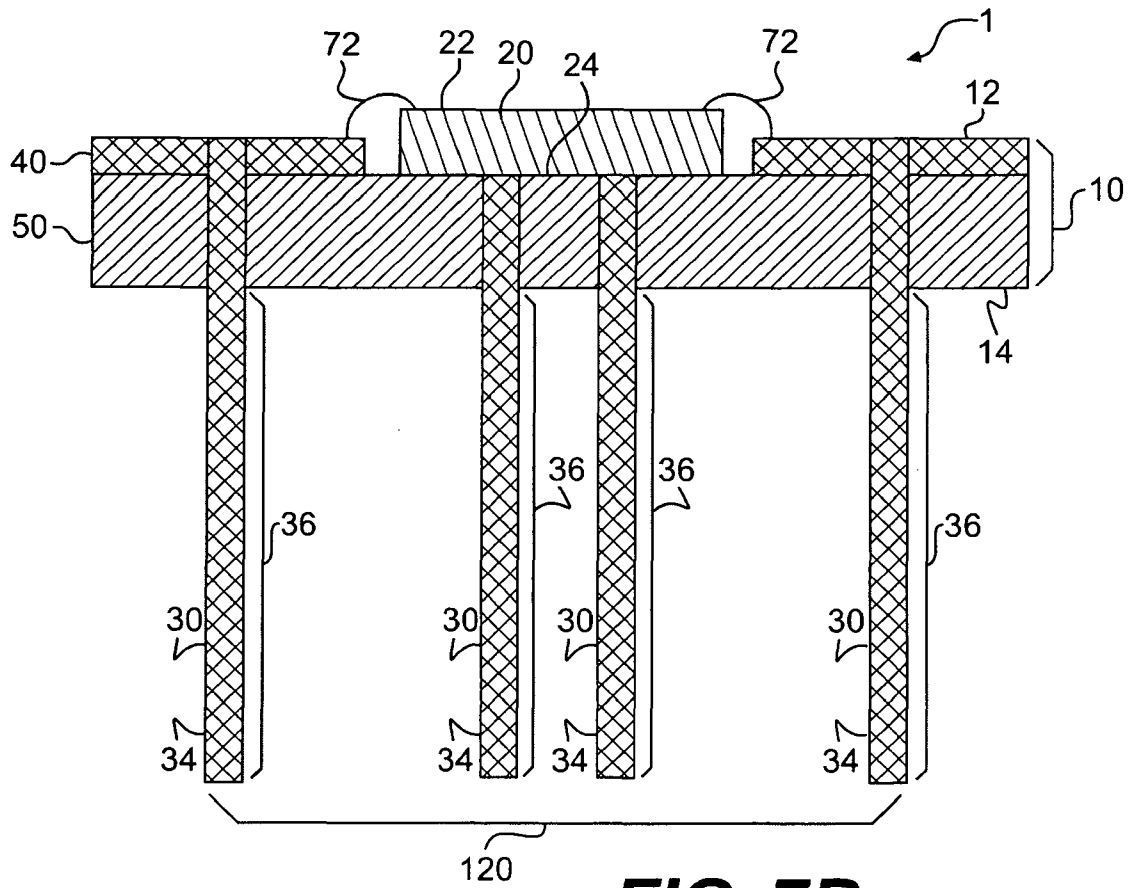


FIG. 7B

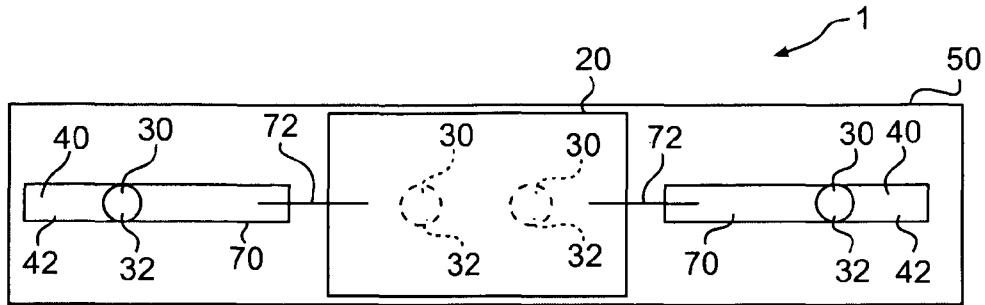


FIG. 8A

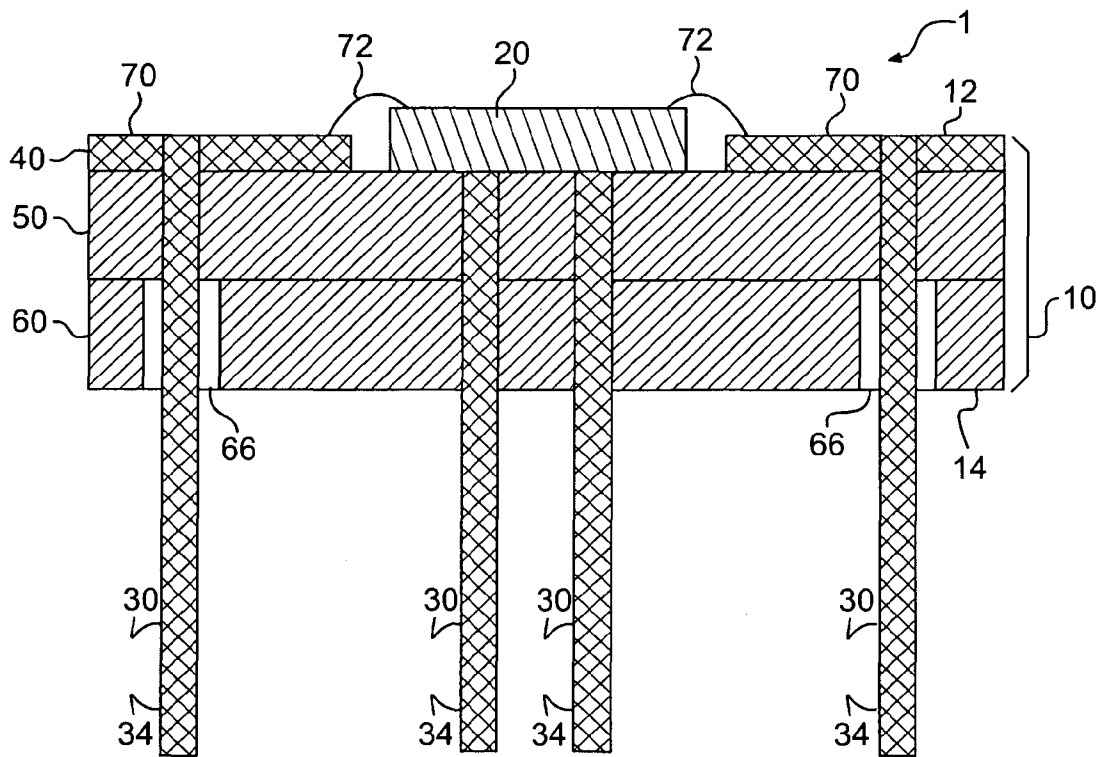


FIG. 8B

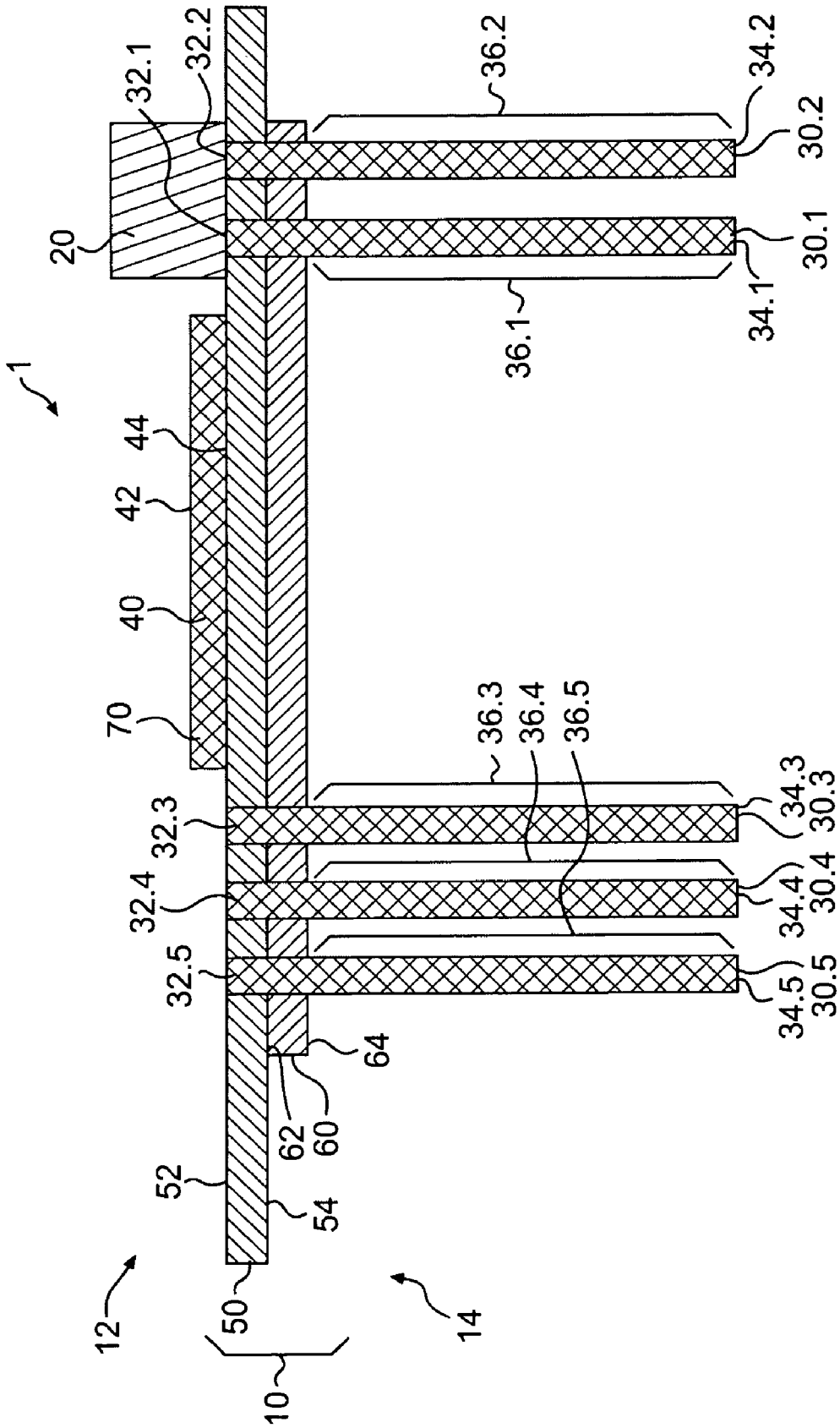


FIG. 9

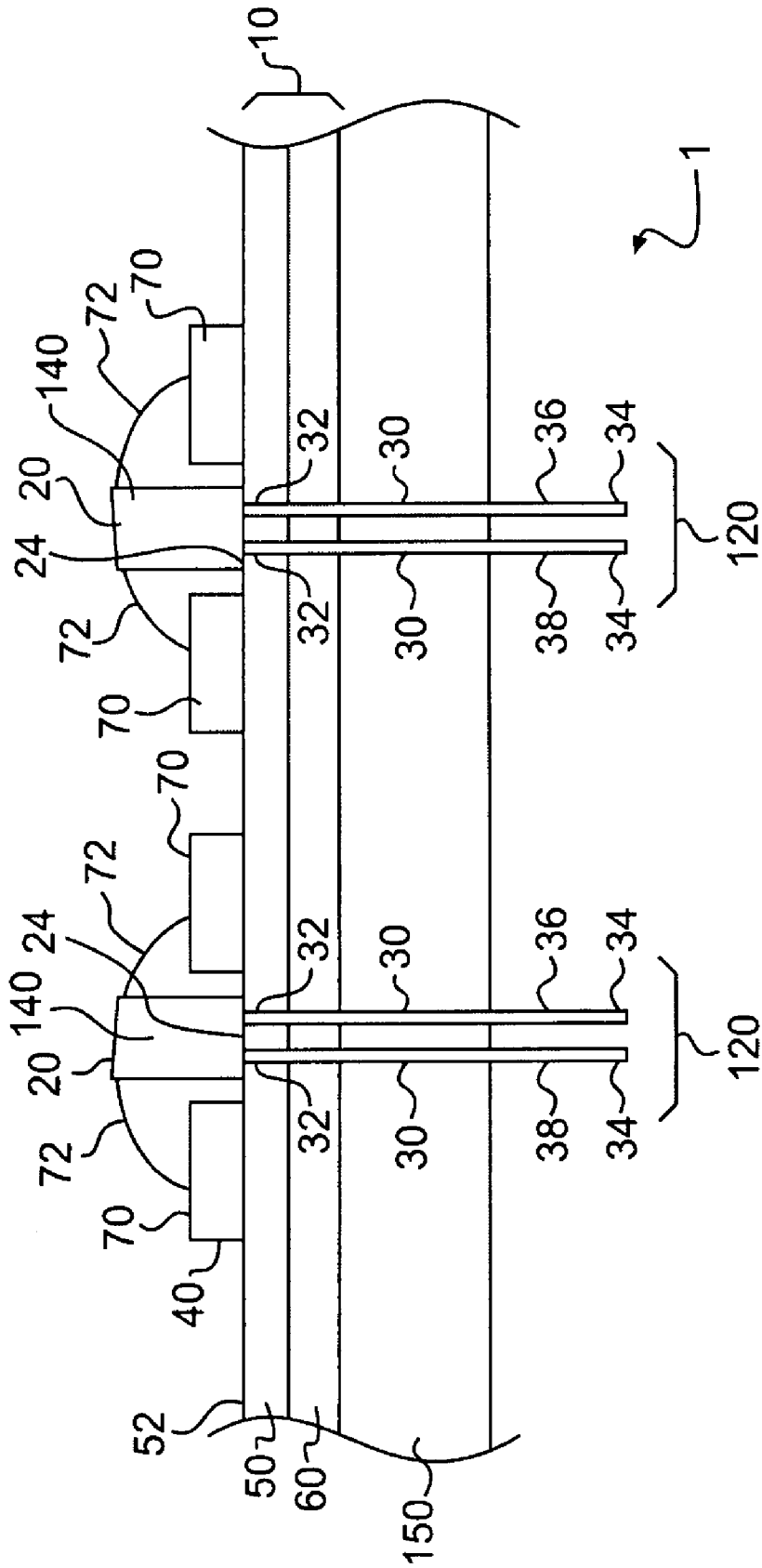
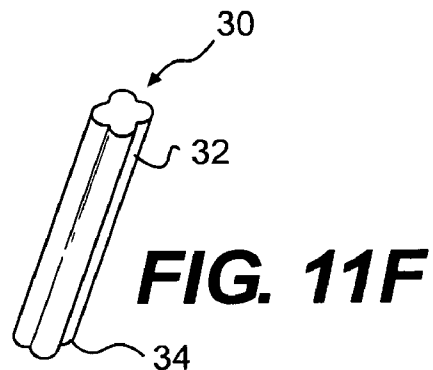
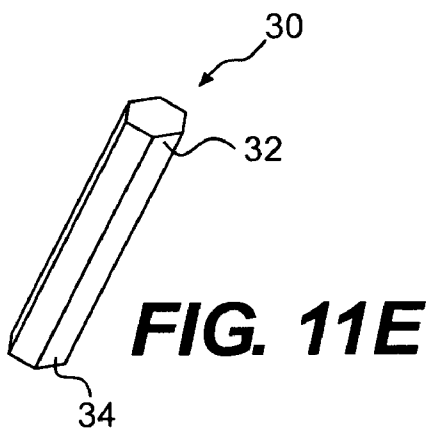
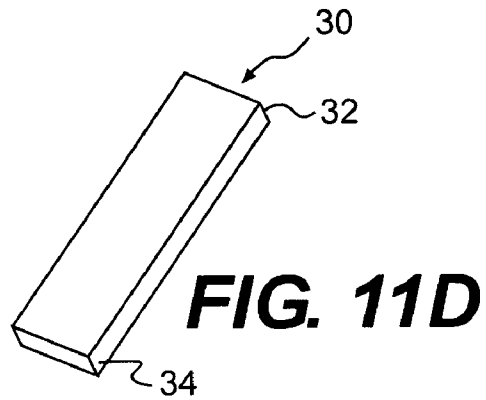
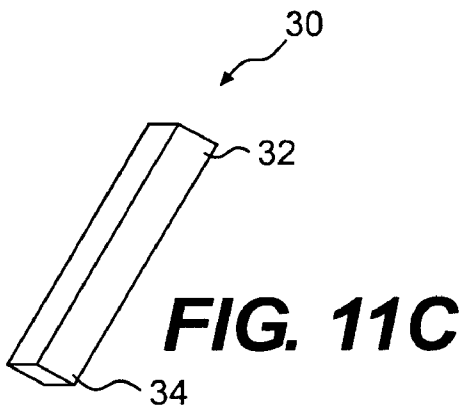
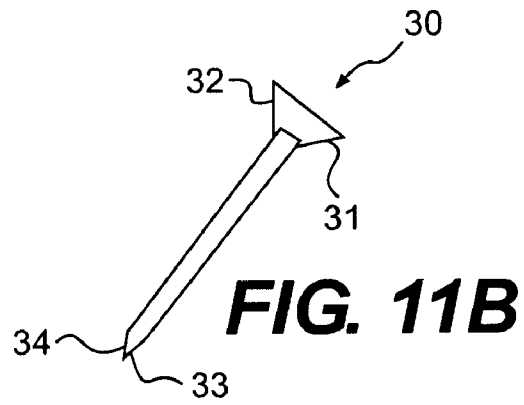
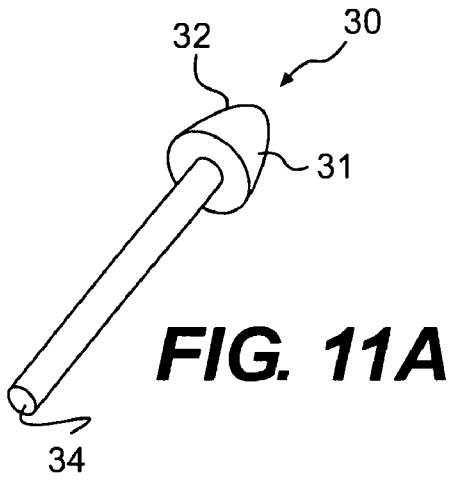


FIG. 10



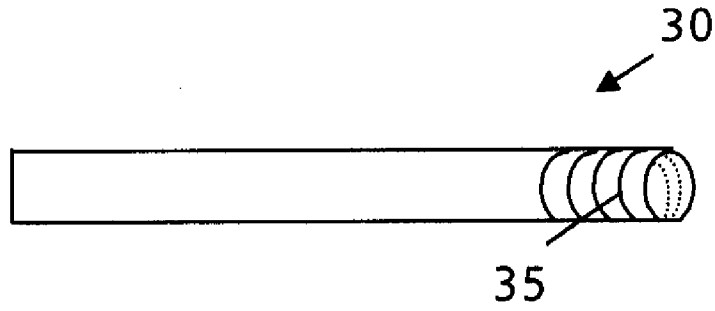


FIG. 11G

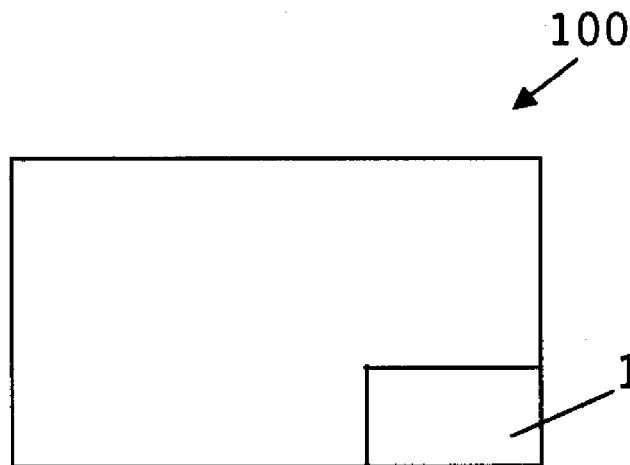


FIG. 12

1

APPARATUS AND METHODS FOR THERMAL MANAGEMENT OF ELECTRONIC DEVICES

CROSS-REFERENCE TO RELATED APPLICATIONS

This application claims priority under 35 U.S.C. §119(e) to provisional U.S. Patent Application No. 61/000,521, filed on Oct. 25, 2007, the disclosure of which is expressly incorporated by reference herein in its entirety.

BACKGROUND OF THE INVENTION

1. Field of the Invention

The invention is directed generally to a method and apparatus for the thermal management of heat in electronic devices and, more particularly, to having printed circuit boards. Apparatus and methods in accordance with the present inventions may resolve many of the needs and shortcomings discussed above and will provide additional improvements and advantages that may be recognized by those of ordinary skill in the art upon review of the present disclosure.

2. Related Art

Numerous electronic manufacturing techniques have attempted to deal with component placement on printed circuit boards (PCB) so that costs tend to be minimized for producing electronic products. For many products, the types of electronic components involved may dictate particular layouts and the use of special arrangements to minimize heat build-up in the circuitry and components during use. However, there tends to be a limit to the effectiveness of the heat removal capabilities of current techniques, which might suppress progress in producing new products that have higher heat removal needs.

Accordingly, there is a need for a method and apparatus that provides improved heat dissipation techniques for printed circuit boards of various types so that components that produce more heat may be accommodated.

SUMMARY OF THE INVENTION

The invention meets the foregoing need and provides a method and apparatus for thermal management in electronic devices and that furthermore includes other advantages apparent from the discussion herein. Moreover, the invention is directed to a method and device for thermal management in electronic devices with printed circuit boards (PCB). The apparatus may include a PCB. The PCB may define a first surface and a second surface, and the PCB includes a metal layer and a core. The core may define a first core surface and a second core surface. The metal layer may be secured to the first core surface. The apparatus may include an electronics package, and the electronics package is secured to the first surface of the PCB. The apparatus includes a plurality of pins, each pin in the plurality of pins having a first end and a second end. The pins may be disposed about the PCB with the first ends generally proximate the electronics package such that heat generated by the electronics package may be received by the pins generally proximate the first ends. The pins may pass through the core generally from the first core surface to the second core surface to conduct heat generated by the electronics package through the core as heat is conducted from the first end toward the second end of the pins.

The invention may be implemented in a number of ways. According to one aspect of the invention a circuit is provided

2

that may include a printed circuit board (PCB), the PCB may define a first surface and a second surface, the PCB may include a core, the core may define a first core surface and a second core surface, an electronics package, the electronics package secured to the first surface of the PCB and a plurality of pins, each pin of the plurality of pins having a first end and a second end, the pins disposed about the PCB with at least one of the first ends proximate the electronics package such that a portion of the heat generated by the electronics package may be received by at least one of the pins, the pins configured to pass through the core generally from the first core surface to the second core surface to conduct the portion of the heat generated by the electronics package through the core for dissipation.

In another aspect of the invention, a method of dissipating heat in a circuit is provided that includes providing a printed circuit board (PCB), the PCB defining a first surface and a second surface, the PCB including a core, the core defining a first core surface and a second core surface, providing an electronics package, the electronics package being secured to the first surface of the PCB and providing a plurality of pins, each pin of the plurality of pins having a first end and a second end, the pins being disposed about the PCB with the first ends proximate the electronics package such that at least a portion of the heat generated by the electronics package are received by the pins, the pins configured to pass through the core generally from the first core surface to the second core surface to conduct at least a portion of heat generated by the electronics package through the core for dissipation.

Additional features, advantages, and embodiments of the invention may be set forth or apparent from consideration of the following detailed description, drawings, and claims. Moreover, it is to be understood that both the foregoing summary of the invention and the following detailed description are exemplary and intended to provide further explanation without limiting the scope of the invention as claimed.

BRIEF DESCRIPTION OF THE DRAWINGS

The accompanying drawings, which are included to provide a further understanding of the invention, are incorporated in and constitute a part of this specification, illustrate embodiments of the invention and together with the detailed description serve to explain the principles of the invention. No attempt is made to show structural details of the invention in more detail than may be necessary for a fundamental understanding of the invention and the various ways in which it may be practiced. In the drawings:

FIG. 1A illustrates in plan view an exemplary embodiment of an apparatus, configured according to principles of the invention;

FIG. 1B illustrates a frontal view of the embodiment of FIG. 1A;

FIG. 2A illustrates in plan view an exemplary embodiment of an apparatus, configured according to principles of the invention;

FIG. 2B illustrates in frontal view the embodiment of FIG. 2A;

FIG. 3A illustrates in plan view an exemplary embodiment of an apparatus, configured according to principles of the invention;

FIG. 3B illustrates in frontal view the embodiment of FIG. 3A;

FIG. 4A illustrates in plan view an exemplary embodiment of an apparatus, configured according to principles of the invention;

FIG. 4B illustrates in frontal view the embodiment of FIG. 4A;

FIG. 5A illustrates in plan view an exemplary embodiment of an apparatus, configured according to principles of the invention;

FIG. 5B illustrates in frontal view the embodiment of FIG. 5A;

FIG. 6A illustrates in plan view an exemplary embodiment of an apparatus, configured according to principles of the invention;

FIG. 6B illustrates in frontal view the embodiment of FIG. 6A;

FIG. 7A illustrates in plan view an exemplary embodiment of an apparatus, configured according to principles of the invention;

FIG. 7B illustrates in frontal view the embodiment of FIG. 7A;

FIG. 8A illustrates in plan view an exemplary embodiment of an apparatus, configured according to principles of the invention;

FIG. 8B illustrates in frontal view the embodiment of FIG. 8A;

FIG. 9 illustrates a frontal view of an exemplary embodiment of an apparatus, configured according to principles of the invention;

FIG. 10 illustrates a frontal view of an exemplary embodiment of an apparatus, configured according to principles of the invention; ad

FIGS. 11A-11G each illustrate in perspective a separate exemplary embodiment of a pin, configured according to principles of the invention; and

FIG. 12 illustrates an apparatus that includes one of the embodiments herein, configured according to principles of the invention.

DETAILED DESCRIPTION OF THE INVENTION

The embodiments of the invention and the various features and advantageous details thereof are explained more fully with reference to the non-limiting embodiments and examples that are described and/or illustrated in the accompanying drawings and detailed in the following description. It should be noted that the features illustrated in the drawings are not necessarily drawn to scale, and features of one embodiment may be employed with other embodiments as the skilled artisan would recognize, even if not explicitly stated herein. Descriptions of well-known components and processing techniques may be omitted so as to not unnecessarily obscure the embodiments of the invention. The examples used herein are intended merely to facilitate an understanding of ways in which the invention may be practiced and to further enable those of skill in the art to practice the embodiments of the invention. Accordingly, the examples and embodiments herein should not be construed as limiting the scope of the invention, which is defined solely by the appended claims and applicable law. Moreover, it is noted that like reference numerals represent similar parts throughout the several views of the drawings.

Referring now to the various embodiments of the Figures, in various aspects, the apparatus 1 may include a printed circuit board (PCB) 10, which defines a first surface 12 and a second surface 14. An electronics package 20 may be disposed about the first surface 12 of the PCB 10, and the electronics package 20 may generate heat. The PCB 10 may include a metal layer 40 and a core 50, and, in some aspects, may include multiple cores 50 interposed between multiple metal layers 40. The metal layer 40 may be disposed on a core

first surface 52 of the core 50. The metal layer 40 may include metal such as copper, silver, gold, other metal, or other conductive material or combinations thereof suitable to define traces 70, which are circuit paths for electronic components affixed to the PCB 10. The core 50 may include any of the well known and electrically non-conducting materials commonly used in PCB manufacture such as FR4. As the core 50 may be electrically non-conducting, the core 50 may be thermally insulating, and, accordingly, inhibit the transfer of heat from the electronics package 20 through the PCB 10.

The apparatus 1 may include one or more pins 30. Each pin 30 has a first end 32 and a second end 34, and is formed from heat conductive material or combinations of heat conductive materials, a plurality of pins 30 may be disposed about the PCB 10 with first ends 32 generally proximate the electronics package 20 and configured to conduct heat away from the electronics package 20. The pins 30 configured with an orientation to pass generally through the PCB from the first surface 12 to the second surface 14, with the first ends 32 of the pins 30 configured to be positioned generally proximate the electronics package 20 to provide paths for heat conduction from the electronics package 20 through the core 50 of the PCB 10. In certain aspects, portions of the pin 30 including the second end 34 may extend generally beyond the second surface 14 of the PCB to define an extension 36. The extension 36 may disperse heat by convection and/or radiation. In such aspects, a plurality of pins 30 may include extensions 36 to form an array 120 which may further enhance heat dispersal.

In various aspects, the PCB 10 may include a backplane 60 with the backplane first surface 62 generally affixed to the core second surface 54 as shown in FIGS. 4B, 5B, 6B, 8B, 9 and 10. The backplane 60 may be comprised of a metal such as copper, aluminum, graphite, other conductive material, or combinations thereof. The backplane 60 may function, among other things, to provide a common potential for circuitry attached to the PCB 10 and/or to serve as a heat spreader to diffuse heat generated by the operation of the circuitry attached to the PCB 10 including the electronics package 20. As such, the backplane 60 may be electrically conductive and/or may be thermally conductive.

In embodiments of the PCB 10 that include the backplane 60, portions of the pins 30 may be configured to extend into at least portions of the backplane 60 in order to transfer heat from the pins 30 into the backplane 60 for dispersal. The pins 30 may be configured to extend into the backplane 60 to secure, at least in part, the backplane 60 to the core 50. In particular, the backplane 60 may include, at least in part, graphite, and the pins 30 may be configured to secure such a graphite backplane 60 to the core 50.

Each pin 30 may be a generally elongated member such as a nail, screw, bolt, strip, pin, or the like, and may be configured to conduct heat between the first end 32 and the second end 34. Accordingly, each pin 30 may be formed of copper, brass, steel, or various other metals, metal alloys, or other heat conductive materials, or combinations thereof. The pin 30 may have a generally constant cross-section between the first end 32 and the second end 34 or may be, at least in part, tapered between the first end 32 and the second end 34. The cross-section of the pin 30 may be substantially cylindrical, in some aspects, while, in other aspects, the pin 30 may have, for example, a polygonal cross-section such as rectangular or hexagonal cross-section. In still other aspects, the pin 30 may have a star shaped cross-section. In other aspects, the pin 30 may be flattened proximate the second end 34, perhaps enlarged, to provide a relatively larger surface area to increase heat dissipation. Portions of the pin 30 generally proximate

the first end 32 may form a head 31, which could be, for example, either flat or rounded. Portions of the pin 30 generally proximate the second end 34 may generally define a point 33. In some aspects, the pin 30 may be configured to be driven into the PCB 10 by the application of force about the first end 32. In other aspects, the pin 30 may include threads 35 (FIG. 11G) and/or configured to be threadedly received into the PCB 10. In still other aspects, the pin 30 may be configured to be slidably received in a channel or other aperture associated with the PCB 10. The pin 30 may have various geometric configurations, include various materials, and may be placed in the PCB in various ways as would be recognized by those of ordinary skill in the art upon review of this disclosure. Combinations of pins 30 having various lengths, materials, and/or geometries could be used in some aspects.

The extension 36 may extend generally beyond the backplane second surface 64 to disperse heat. Heat may be dispersed from the extension 36 by free convection and/or forced convection, as well as by radiation. In various aspects, a plurality of extended portions 36 may be configured to form an array 120, and the array 120 may dissipate heat by free convection and/or forced convection. In contrast to fins or other such structures, air may flow through the array 120 in multiple directions to convect heat from the array 120. As would be understood by those of ordinary skill in the art upon review of this disclosure, additional components such as, for example, fins for heat dispersion and structural members may be secured to the backplane second surface 64, and the additional components may be secured, at least in part, by one or more pins 30. Also, as would be understood by those of ordinary skill in the art upon review of this disclosure, various welds, adhesives, solders, and other mechanisms of attachment may be provided to secure various portions of the PCB 10 together, so that various adhesive and other layers may be interposed between the components in various aspects. For example, the core 50 may be adhesively secured to the backplane 60, which may interpose an adhesive layer generally between the core second surface 54 and the backplane first surface 62.

FIG. 1A illustrates in plan view an exemplary embodiment of an apparatus, configured according to principles of the invention and FIG. 1B illustrates a frontal view of the embodiment of FIG. 1A. A PCB 10 may include a metal layer 40 and a core 50. The metal layer first surface 42 and portions of the core first surface 52 generally define the first surface 12 of the PCB 10, and the second surface 14 of the PCB 10 is generally defined by the core second surface 54, as illustrated. The metal layer may have a second metal layer surface 44 adjacent the core first surface 52.

An electronics package 20 having a package first surface 22 and a package second surface 24 may be disposed about the first surface 12 of the PCB 10, as illustrated in FIGS. 1A and 1B, with portions of the package second surface 24 biased against portions of the core first surface 52. Traces 70 configured from the metal layer 40 may be disposed upon the core first surface 52, and the electronics package 20 may be in electrical communication with the traces 70 by electrical connectors 72, as illustrated. The electrical connectors 72 may be, for example, power leads, wire bonds, SMD leads, electrode pads, or the like.

As further illustrated in FIGS. 1A and 1B, pins 30.1, 30.2 may be configured to pass thru the PCB 10 including the core 50 from the core first surface 52 to the core second surface 54 to conduct heat generated by the electronics package 20, generally from the first surface 12 to the second surface 14. The first ends 32.1, 32.2 of pins 30.1, 30.2 may be placed proximate the core first surface 52 and proximate the package

second surface 24 to receive heat from the package second surface 24 of the electronics package 30. In some embodiments, portions of the first ends 32.1, 32.2 may be generally biased against the package second surface 24. The pins 30.1, 30.2 may conduct the heat from the first ends 32.1, 32.2 through the core 50 from the core first surface 52 to the core second surface 54 and generally to the second ends 34.1, 34.2. As illustrated, portions of the pins 30.1, 30.2, generally proximate the second ends 34.1, 34.2, may protrude generally beyond the core second surface 54 to define extensions 36.1, 36.2. Heat conducted through the core 50 from the electronics package 20 may be dispersed, at least in part, by convection and/or radiation from the extensions 36.1, 36.2. The extensions 36.1, 36.2 may define the array 120, as illustrated. In other embodiments, the second ends 34.1, 34.2 may lie generally between the core first surface 52 and the core second surface 54, and/or may be generally proximate the core second surface 54 to disperse heat from the core second surface 54.

FIG. 2A illustrates in plan view an exemplary embodiment of an apparatus, configured according to principles of the invention. FIG. 2B illustrates in frontal view of the embodiment of FIG. 2A. In FIGS. 2A and 2B, a PCB 10 that includes a metal layer 40 and a core 50 is generally illustrated. The metal layer 40 may include a first surface 42 and portions of the core first surface 52 may generally define the first surface 12 of the PCB 10. The second surface 14 of the PCB 10 may be generally defined by the core second surface 54, as illustrated.

As illustrated, portions of the metal layer 40 define traces 70. Other portions of the metal layer 40 may define a pad 80 having a pad first surface 82 and a pad second surface 84, with the pad 80 electrically isolated from the traces 70, as illustrated. The electronics package 20 may be disposed about the first surface 12 of the PCB 10, as illustrated in FIGS. 2A and 2B, with portions of the package second surface 24 generally abutting portions of the pad first surface 82, so that the electronics package 20 may be in thermal communication with the pad 80 to distribute heat from the electronics package 20 into the pad 80. The electronics package 20 may be in electrical communication with the traces 70 by electrical connectors 72, as illustrated.

As further illustrated in FIGS. 2A and 2B, a plurality of pins 30 may be configured to be disposed about the pad 80 to conduct heat from the pad 80 through the core 50. The pins 30 may pass through the PCB 10 including the pad 80 from pad first surface 82 to the pad second surface 84 and through the core 50 from the core first surface 52 to the core second surface 54 to conduct heat generally from the first surface 12 to the second surface 14. In this implementation, any heat generated by the electronics package 20 may be conducted from the package second surface 24 by the pad 80 and distributed to the pins 30 generally proximate the first ends 32 of the pins 30. The heat may be conducted through the core 50 from the core first surface 52 to the core second surface 54 by the pins 30, and the heat dispersed generally from the core second surface 54. As illustrated, heat conducted through the core 50 from the electronics package 20 may be dispersed, at least in part, by convection and/or radiation from the extensions 36 of the pins 30. In various implementations, the convective heat transfer from the array 120 formed by the extensions 36 may be either non-forced or forced.

In some implementations, at least some pins 30 may pass through the pad 80 from the pad first surface 82 to the pad second surface 84, and the first ends 32 may be generally proximate the pad first surface 82. In other implementations, at least some of the first ends 32 of the pins 30 may be

generally proximate the pad second surface **84**. In still other implementations, at least some of the first ends **32** of the pins **30** may be generally biased against the second surface **84** of the pad **80**.

FIG. 3A illustrates in plan view an exemplary embodiment of an apparatus, configured according to principles of the invention. FIG. 3B illustrates in frontal view of the embodiment of FIG. 3A. In FIGS. 3A and 3B, a PCB **10** that includes a metal layer **40** and a core **50** is generally illustrated. The metal layer first surface **42** and portions of the core first surface **52** may generally define the first surface **12** of the PCB **10**. The second surface **14** of the PCB **10** may be generally defined by the core second surface **54**, as illustrated.

Portions of the metal layer **40** may define traces **70**, as illustrated. Other portions of the metal layer **40** may define a pad **80** having a pad first surface **82** and a pad second surface **84**, with the pad **80** electrically isolated from the traces **70**, as illustrated in FIGS. 3A and 3B. As illustrated, a heat slug **90** having a first heat slug surface **92** and a second heat slug surface **94** may be secured to the pad **80** with the second heat slug surface **94** is generally abutting the first pad surface **82**. In this implementation, the shape of the second heat slug surface **94** may generally conform to the shape of the first pad surface **82**. The electronics package **20** may be disposed about the first surface **12** of the PCB **10**, as illustrated, with portions of the package second surface **24** biased against portions of the heat slug first surface **82** so that the electronics package **20** is in thermal communication with the heat slug **90**, which, in turn, may be in thermal communication with the pad **80** and, thence, with the pins **30** generally proximate the first ends **32**. The electronics package **20**, as illustrated, may be in electrical communication with the traces **70** by electrical connectors **72**.

As illustrated in FIGS. 3A and 3B, the plurality of pins **30** may be disposed about the pad **80**. The pins **30** pass through the PCB **10** including the core **50** generally from the core first surface **52** to the core second surface **54** to conduct heat from the first side **12** to the second side **14** of the PCB **10**. In this implementation, heat generated by the electronics package **20** may be conducted from the package second surface **24** through the heat slug first surface **94** into the heat slug **90**. Heat may be conducted from the heat slug second surface **94** through the pad first surface **82** into the pad **80** to generally distribute heat from the electronics package **20** throughout the heat slug **90** and the pad **80**. Heat may be conducted into the pins **30** generally proximate the first ends **32** of the pins **30** from the pad **80** and/or the heat slug **90**, and the pins **30** may conduct heat through the core **50** from the core first surface **52** to the core second surface **54** to allow the heat to be dispersed generally from the core second surface **54**, which, in this implementation, defines the second surface **14** of the PCB **10**.

In various implementations, the pins **30** may be configured to be in thermal communication with the pad **80** and/or with the heat slug **90** by being at least in part positioned proximate the pad **80** and/or heat slug **90**, by passing through at least a portion of the pad **80** and/or heat slug **90**, perhaps by being biased against or otherwise in mechanical contact with or soldered/welded to the pad **80** and/or the heat slug, or in other ways as would be readily recognized by those of ordinary skill in the art upon review of this disclosure, or combinations thereof. As illustrated in FIGS. 3A and 3B, portions of the pins **30** configured to be generally proximate the second ends **34** form extensions **36** to disperse heat, at least in part, by convection and/or radiation.

FIGS. 4A and 4B generally illustrate a PCB **10** that includes the metal layer **40**, the core **50**, and the backplane **60**, with backplane **60** comprising a heat conductive material

such as, for example, a metal, graphite, or the like. The metal layer first surface **42** and portions of the core first surface **52** may be configured to generally define the first surface **12** of the PCB **10**. The second surface **14** of the PCB **10** may be generally defined by the backplane second surface **64**, as illustrated.

The electronics package **20** may be disposed about the first surface **12** of the PCB **10**, as illustrated in FIGS. 4A and 4B, with portions of the package second surface **24** biased against portions of the core first surface **52** or soldered/welded thereto to transfer heat by conduction through the package second surface **24** to the core first surface **52**. In other implementations, the package second surface **24** may be generally set apart, at least in part, from the core first surface **52** so that heat may be transferred by radiation and/or convection from the package second surface **24** to the core first surface **52**. Traces **70** configured from the metal layer **40** may be disposed upon the core first surface **52**, and the electronics package **20** may be in electrical communication with the traces **70** by electrical connectors **72**, as illustrated.

The core **50** may be sandwiched between the metal layer **40** and the backplane **60**, as illustrated in FIGS. 4A and 4B. The core **50**, which may be a thermal and electrical insulator, may inhibit conduction of heat emitted by the electronics package **20** to the backplane **60** and, hence, may inhibit the dispersal of heat generated by the electronics package **20** from the backplane **60**. As illustrated, pins **30** may be configured to pass through the core **50** from the core first surface **52** to the core second surface **54** and through the backplane **60** from the backplane first surface **62** to the backplane second surface **64** and beyond to conduct heat from the electronics package **20** to the backplane **60** in order to diffuse the heat generated by the electronics package **20** throughout the backplane **60**. The first ends **32** of the pins **30** may be placed proximate the package second surface **24** to be in thermal communication with the package second surface **24** in order to conduct heat generated by the electronics package **20** from the package second surface **24** thru the core **50** from the core first surface **52** to the core second surface **54** and into the backplane **60**. The backplane **60** may disperse the heat generally from the backplane second surface **64** by convection and/or radiation or the like.

As illustrated, portions of the pins **30**, generally proximate the second ends **34**, may define extensions **36** that protrude generally outward from the backplane second surface **64**. Heat may be dispersed, at least in part, by convection and/or radiation from the extensions **36**.

FIGS. 5A and 5B generally illustrate a PCB **10** that includes the metal layer **40**, the core **50**, and the backplane **60**. Backplane **60** may include a heat conductive material. Portions of the metal layer **40** may define traces **70**, as illustrated. Other portions of the metal layer **40** may define a pad **80** having a pad first surface **82** and a pad second surface **84**, with the pad **80** electrically isolated from the traces **70** in the illustrated implementation. The electronics package **20** may be disposed about the first surface **12** of the PCB **10**, as illustrated in FIGS. 5A and 5B, with portions of the package second surface **24** generally abutting portions of the pad first surface **82** so that the electronics package **20** may be in thermal communication with the pad **80**. Accordingly, heat generated by the electronics package **20** may be distributed throughout the pad **80**.

As illustrated, pins **30** may be disposed about the pad **80** to conduct heat from the pad **80** through the core **50** and into the backplane **60** in order to disperse heat generated by the electronics package **20** from the backplane **60**. The first ends **32** of the pins **30**, in this implementation, may be located generally

about the pad first surface **82** of the pad **80**. The pins **30** may pass through the pad **80** generally from the pad first surface **82** to the pad second surface **84**, through the core **50** from the core first surface **52** to the core second surface **54** and through the backplane **60** from the backplane first surface **62** to the backplane second surface **64** and extend outward from the backplane second surface **64** to form extensions **36**. Heat may be dispersed by convection and/or radiation from the extensions **36**. The pins **30**, in various implementations, may secure, or at least aid in securing, the backplane **60** to the core **50**. In implementations wherein the backplane **60** includes graphite, the pins **30** may be advantageous for securing the graphite backplane **60** to the core. In various implementations, the pins **30** may have differing lengths. In various implementations, the second ends **24** may be configured to terminate within the backplane **60**, or the second ends **34** of the pins **30** may be biased against the backplane first surface **62**.

FIG. **6A** illustrates in plan view an exemplary embodiment of an apparatus, configured according to principles of the invention. FIG. **6B** illustrates in frontal view of the embodiment of FIG. **6A**. The implementation illustrated in FIGS. **6A** and **6B** includes a metal layer **40**, a core **50**, and a backplane **60**. Backplane **60** may comprise a heat conductive material. Portions of the metal layer **40** may define traces **70**, as illustrated, while other portions of the metal layer **40** may define pad **80**. The pad **80** may be electrically isolated from the traces **70**. Also, as illustrated in FIGS. **6A** and **6B**, a heat slug **90** having a first heat slug surface **92** and a second heat slug surface **94** may be secured to the pad **80** with the second heat slug surface **94** generally abutting the first pad surface **82**. The electronics package **20** may be configured to be disposed about the first surface **12** of the PCB **10**, as illustrated, with portions of the package second surface **24** biased against portions of the heat slug first surface **92** so that the electronics package **20** may be in thermal communication with the heat slug **90** to distribute heat generated by the electronics package **20** throughout the heat slug **90** and pad **80**. Pins **30** may pass through the pad **80**, the core **50**, and the backplane **60** to conduct heat generated by the electronics package **20** from the pad **80** and heat slug **90** to the backplane **60** for dispersal. Heat may be dispersed, at least in part, by convection and/or radiation from the extensions **36** that form array **120** in this implementation.

FIG. **7A** illustrates in plan view an exemplary embodiment of an apparatus, configured according to principles of the invention. FIG. **7B** illustrates a frontal view of the embodiment of FIG. **7A**. In this implementation, one or more pins **30** may be configured to pass at least partially through the trace(s) **70**. As illustrated, the PCB **10** may include the metal layer **40** from which the traces **70** are configured, and the core **50**. Pins **30** may be disposed about the electronics package **20** to conduct heat generated by the electronics package from the first surface **12** to the second surface **14** to be dispersed. Pins **30** that pass at least partially through the traces **70** may pass at least partially into the core **50**. The core **50** may electrically isolate the pins **30** so that substantially no short circuiting may occur through the core **50** between pins **30** when having differing potentials.

In other implementations that include the pad **80**, the pad **80** may be electrically charged in order to supply power to the electronics package **20**. Pins **30** that may contact the pad **80** in such implementations would be electrically isolated by the

core so that substantially no short circuiting occurs through the core **50** between pins **30** when having differing potentials.

FIG. **8A** illustrates in plan view an exemplary embodiment of an apparatus, configured according to principles of the invention. FIG. **8B** illustrates in frontal view the embodiment of FIG. **8A**. One or more pins **30** may pass through the trace(s) **70**, as illustrated in FIGS. **8A** and **8B**. Also, as illustrated, the PCB **10** may include the metal layer **40** from which the traces **70** may be configured, core **50**, and backplane **60**. Pins **30** may be disposed about the electronics package **20** to conduct heat generated by the electronics package from the first surface **12** to the second surface **14** for dispersal. Pins **30** that pass through the traces **70** may pass into the core **50**. The core **50** may electrically isolate the pins **30** so that substantially no short circuiting occurs through the core **50** between pins **30**, when they have differing potentials. As illustrated, the backplane **60** may include backplane cavities **66** that pass about respective pins **30** so that the pins **30** do not contact (i.e., are isolated from) the backplane **60** in order to prevent short circuiting between pins **30** through the backplane **60**. The pins **30** may exchange heat with the backplane **60** by radiation and/or convection, and the pins **30** may also generally disperse heat through the portions of the pins **30** proximate the second ends **34** by radiation and/or convection in this implementation.

Because of the backplane cavities **66**, the pins **30** do not directly contact the backplane **60**, which may limit the heat conductance between the pins **30** and the backplane **60**. In an alternative implementation, the pins **30** may be anodized, at least in part, so that the pins **30** are electrically non-conductive. The anodized pin **30** may pass through the trace **70**, through the core **50** and into the backplane **60**, perhaps with mechanical contact between the pins **30** and the backplane **60**, to conduct heat generated by the electronics package from the first surface **12** to the backplane **60** without short circuiting. Similarly, in implementations wherein the pad **80** may be electrically charged, anodized pins **30** may contact the pad **80** and contact the backplane **60** without short circuiting.

FIG. **9** illustrates a frontal view of an exemplary embodiment of an apparatus, configured according to principles of the invention. As shown in this implementation, pins **30.1**, **30.2** may pass thru the PCB **10** including the core **50** to conduct heat generated by the electronics package **20** generally from the first surface **12** to the second surface **14**. The pins **30.1**, **30.2** may be configured to be disposed proximate the electronics package **20** and configured to be in thermal communication with the electronics package **20** so that heat generated by the electronics package **20** may be conducted through the package second surface **24** into the pins **30.1**, **30.2** generally proximate the first ends **32.1**, **32.2**. The pins **30.1**, **30.2** may conduct heat through the core **50** from the core first surface **52** to the core second surface **54**. The pins **30.1**, **30.2** may pass through the backplane **60**, and heat may be conducted from the pins **30.1**, **30.2** into the backplane **60**. The backplane **60**, in this implementation, may include graphite which conducts heat anisotropically. The preferred directions for heat conduction in the backplane **60**, in this implementation, are parallel to the planes defined by the backplane first surface **62** and the backplane second surface **64**. Thus, the backplane **60** may conduct heat from pins **30.1**, **30.2**, to pins **30.3**, **30.4**, **30.5**, and heat may be generally dispersed by convection and/or radiation from the extensions **36.3**, **36.4**, **36.5** that protrude beyond the backplane second surface **64**. As illustrated, heat conducted through the core **50** from the electronics package **20** may be dispersed, at least in part, by convection and/or radiation from the extensions **36.1**, **36.2**.

11

FIG. 10 illustrates a frontal view of an exemplary embodiment of an apparatus, configured according to principles of the invention. An array of electronics packages 20 secured to the PCB 10 is illustrated in FIG. 10, wherein the electronics packages 20 are configured to include one or more light emitting diodes (LED's). The electronics package 20 may, for example, include three LED's adapted to provide red, green, and blue light, respectively in order to provide backlight for a liquid crystal display, for example. The PCB 10, as illustrated in FIG. 10, may be secured to a heat sink panel 150, which may include aluminum, copper, other heat conductive material or combinations thereof to absorb and dissipate heat generated by the electronics packages 20. Pins 30 may conduct heat generated by the electronics packages 20 through the PCB 10 to the heat sink panel 150.

As illustrated, the PCB 10 may be configured to include a metal layer 40, a core 50, and a backplane 60, with backplane 60 including a heat conductive material. Portions of the metal layer 40 may define traces 70, as illustrated. The electronics packages 20 may be disposed about the core first surface 52, as illustrated, with portions of the package second surface 24 generally abutting portions of the core first surface 52 and electrically connected to the traces 70 by electrical connectors 72.

As illustrated in FIG. 10, pins 30 may be disposed with first ends 32 configured proximate the package second surface 24 and second ends 34 within the heat sink panel 150 in order to conduct heat from the electronics package 20 through the core 50 and into the backplane 60 and into the panel heat sink 150. Heat may be distributed throughout the backplane 60 by conduction and heat may be conducted from the backplane 60 into the heat sink panel 150. The heat sink panel 150 may distribute the heat throughout by conduction, and may disperse heat by convection and/or radiation. In various implementations, the pins 30 may secure (or aid in securing), at least in part, the backplane 60 to the core 50 and may secure the heat sink panel 150 to the backplane 60. As would be understood by one of ordinary skill in the art upon review of this disclosure, the backplane 60 and heat sink panel 150 may be of a unitary construction in some implementations, or the backplane 60 and heat sink panel 150 may be secured to one another by welds, adhesives, and so forth. In various implementations, portions of the pins 30, generally proximate the second ends 34, may be configured to extend beyond the heat sink panel 150 to form an array 120 for the dispersal of heat. Heat may be dispersed from the array 120 by free convection or forced convection. The dispersal of heat by free convection may be particularly effective when the heat sink panel is placed in a vertical orientation so that air driven by buoyancy may flow through the array 120.

FIGS. 11A-11F each illustrate in perspective a separate exemplary embodiment of a pin, configured according to principles of the invention.

FIG. 11A illustrates a pin 30 configured to have a generally rounded head 31 at the first end 32. The pin 30 illustrated in FIG. 11B has a generally flat head 31 at the first end 32 and the second end 32 may be configured with a point 33. The pins 30 illustrated in FIGS. 11C, 11D, 11E, and 11F have generally square, generally rectangular, hexagonal, and star shaped cross-sections, respectively. The pin 30 may assume other shapes and configurations as would be recognized by those of ordinary skill in the art upon review of this disclosure.

Methods, in various aspects, may include arranging the apparatus 1, PCB 10, metal layer 40, core 50, and/or electronics package 20 with the pins 30. Further the method may include generating heat proximate the first surface 12 of the PCB 10 by an electronics package 20 and may include con-

12

ducting the heat from the first surface 12 to the second surface 14, at least in part, using a plurality of pins 30. The methods may include dispersing heat from an array 120 defined by a plurality of extensions 36. The methods may include securing the backplane 60, at least in part by a plurality of pins 30.

In the apparatus described above, the electronic package 20 may be one or more lighting devices, computing devices, memory storage devices, communication devices, and the like. For example, the lighting devices may be LEDs and any associated electronics.

Further, with respect to the aspects described above, the apparatus 1 may comprise a light, a computer device, a storage device, a telecommunications device or the like, or any combination thereof, generally illustrated as apparatus 100 in FIG. 12.

While the invention has been described in terms of exemplary embodiments, those skilled in the art will recognize that the invention can be practiced with modifications in the spirit and scope of the appended claims. These examples given above are merely illustrative and are not meant to be an exhaustive list of all possible designs, embodiments, applications or modifications of the invention.

What is claimed:

1. A circuit comprising:

a printed circuit board (PCB), the PCB defines a first surface and a second surface, the PCB includes a core, the core defines a first core surface and a second core surface;

an electronics package, the electronics package secured to the first surface of the PCB;

a plurality of pins, each pin of the plurality of pins having a first end and a second end, the pins disposed about the PCB with at least one of the first ends proximate the electronics package such that a portion of the heat generated by the electronics package may be received by at least one of the pins, the pins configured to pass through the core generally from the first core surface to the second core surface to conduct the portion of the heat generated by the electronics package through the core for dissipation;

a backplane having a backplane first surface and a backplane second surface, the backplane first surface affixed to the core second surface; and

a heat sink panel secured to a backplane second surface, at least one of the plurality of pins passing through the backplane and into the heat sink panel for dispersing heat.

2. The circuit of claim 1, wherein a portion of a metal layer forms at least one trace on the first core surface and the plurality of pins are configured to pass at least partially through the at least one trace, the core and the backplane, the backplane configured with cavities that pass about respective pluralities of pins to prevent short circuiting between the plurality of pins.

3. The circuit of claim 1, wherein the backplane comprises an electrically conductive material.

4. The circuit of claim 1, wherein the backplane comprises a thermally conductive material and portions of the plurality of pins extend into at least a portion of the backplane to conduct heat generated by the electronics package to the backplane to be dispersed.

5. The circuit of claim 1, wherein the plurality of pins comprises in any combination at least one of: copper, brass, steel, aluminum and a metal alloy.

6. The circuit of claim 1, wherein a cross-section of the plurality of pins is constant between the first end and the second end.

13

7. The circuit of claim 1, wherein a cross-section of at least one of the plurality of pins is tapered between the first end and the second end.

8. The circuit of claim 1, wherein a cross-section of at least one of the plurality of pins forms a polygon.

9. The circuit of claim 1, wherein a cross-section of at least one of the plurality of pins forms a circular shape.

10. The circuit of claim 1, wherein at least one of the plurality of pins is configured to be threadedly received into the PCB.

11. The circuit of claim 1, wherein at least one of the plurality of pins is configured to be slideably received into the PCB.

12. The circuit according to claim 1, wherein the plurality of pins extend beyond the second core surface to define an extension portion, the extension portion dispersing the conducted heat by convection and/or radiation.

13. The circuit of claim 1, wherein a portion of a metal layer forms at least one trace on the first core surface with the electronics package in electrical communication with the at least one trace.

14. The circuit of claim 13, wherein the metal layer forms a pad having a pad first surface and a pad second surface, the pad electrically isolated from the at least one trace.

15. The circuit of claim 1, wherein a metal layer forms a pad having a pad first surface and a pad second surface, and wherein the electronics package has a package first surface and a package second surface, wherein a portion of the package second surface abuts a portion of the pad first surface.

16. The circuit of claim 15, wherein the electronics package is in thermal communication with the pad to distribute heat away from the electronics package.

17. The circuit of claim 15, wherein the plurality of pins pass through the pad to conduct heat away from the electronics package.

18. The circuit of claim 17, wherein the plurality of pins are configured to be biased against the pad second surface.

19. The circuit of claim 15, further comprising a heat slug, the heat slug secured to the pad so that the electronics package is in thermal communication with the heat slug and the plurality of pins.

20. The circuit of claim 19, wherein at least one of the plurality of pins is proximate the heat slug.

21. The circuit of claim 19, wherein at least one of the plurality of pins pass through at least a portion of the heat slug.

22. The circuit according to claim 15, further comprising a backplane having a backplane first surface and a backplane second surface, the backplane first surface affixed to the core second surface, the plurality of pins passing through at least a portion of the pad and through the core and into at least a portion of the backplane to dissipate heat.

23. The circuit of claim 22, further comprising a heat slug, the heat slug secured to the pad so that the electronics package is in thermal communication with the heat slug and the plurality of pins.

24. The circuit of claim 1, wherein a portion of a metal layer forms at least one trace on the first core surface and at least one of the plurality of pins is configured to pass at least partially through the at least one trace and the core, the core electrically isolating the at least one pin from at least one other of the plurality of pins.

25. The circuit of claim 1, wherein the electronic package includes at least one light emitting diode (LED).

14

26. The circuit of claim 1, wherein the electronic package comprises in any combination: one or more lighting devices, a computing device, a memory storage device, and a communication device.

27. An apparatus that comprises the circuit of claim 1.

28. A method of dissipating heat in a circuit, the method comprising the steps of:

providing a printed circuit board (PCB), the PCB defining a first surface and a second surface, the PCB including a core, the core defining a first core surface and a second core surface;

providing an electronics package, the electronics package being secured to the first surface of the PCB;

providing a plurality of pins, each pin of the plurality of pins having a first end and a second end, the pins being disposed about the PCB with the first ends proximate the electronics package such that at least a portion of the heat generated by the electronics package are received by the pins, the pins configured to pass through the core generally from the first core surface to the second core surface to conduct at least a portion of heat generated by the electronics package through the core for dissipation;

providing a backplane having a backplane first surface and a backplane second surface, the backplane first surface being affixed to the core second surface;

forming a pad in a metal layer so that the electronics package abuts a portion of the pad;

providing a heat slug, the heat slug being secured to the pad so that the electronics package is in thermal communication with the heat slug and the plurality of pins; and providing a heat slug and passing at least one of the pins through at least a portion of the heat slug.

29. The method of claim 28, further including placing the plurality of pins into the pad to conduct heat away from the electronics package.

30. The method of claim 28, wherein the step of providing a heat slug includes configuring at least one of the plurality of pins and the heat slug proximate to one another.

31. A circuit comprising:

a printed circuit board (PCB), the PCB defines a first surface and a second surface, the PCB includes a core, the core defines a first core surface and a second core surface;

an electronics package, the electronics package secured to the first surface of the PCB;

a plurality of pins, each pin of the plurality of pins having a first end and a second end, the pins disposed about the PCB with at least one of the first ends proximate the electronics package such that a portion of the heat generated by the electronics package may be received by at least one of the pins, the pins configured to pass through the core generally from the first core surface to the second core surface to conduct the portion of the heat generated by the electronics package through the core for dissipation; and

a metal layer wherein at least a portion of the metal layer forms at least one trace on the first core surface and at least one of the plurality of pins is configured to pass at least partially through the at least one trace and the core, the core electrically isolating the at least one pin from at least one other of the plurality of pins.

32. An apparatus that comprises the circuit of claim 31.

33. A circuit comprising:

a printed circuit board (PCB), the PCB defines a first surface and a second surface, the PCB includes a core, the core defines a first core surface and a second core surface;

15

an electronics package, the electronics package secured to the first surface of the PCB;

a plurality of pins, each pin of the plurality of pins having a first end and a second end, the pins disposed about the PCB with at least one of the first ends proximate the electronics package such that a portion of the heat generated by the electronics package may be received by at least one of the pins, the pins configured to pass through the core generally from the first core surface to the second core surface to conduct the portion of the heat generated by the electronics package through the core for dissipation;

a metal layer configured to form a pad having a pad first surface and a pad second surface, and wherein the electronics package has a package first surface and a package second surface, wherein a portion of the package second surface abuts a portion of the pad first surface; and

a heat slug, the heat slug secured to the pad so that the electronics package is in thermal communication with the heat slug and the plurality of pins, wherein at least one of the plurality of pins passes through the heat slug.

34. An apparatus that comprises the circuit of claim 33.

35. A method of dissipating heat in a circuit, the method comprising the steps of:

16

providing a printed circuit board (PCB), the PCB defining a first surface and a second surface, the PCB including a core, the core defining a first core surface and a second core surface;

providing an electronics package, the electronics package being secured to the first surface of the PCB; and

providing a plurality of pins, each pin of the plurality of pins having a first end and a second end, the pins being disposed about the PCB with the first ends proximate the electronics package such that at least a portion of the heat generated by the electronics package are received by the pins, the pins configured to pass through the core generally from the first core surface to the second core surface to conduct at least a portion of heat generated by the electronics package through the core for dissipation; and

providing a metal layer that forms at least one trace on the first core surface and at least one of the plurality of pins is configured to pass through the at least one trace and the core, the core electrically isolating the at least one pin from at least one other of the plurality of pins.

* * * * *